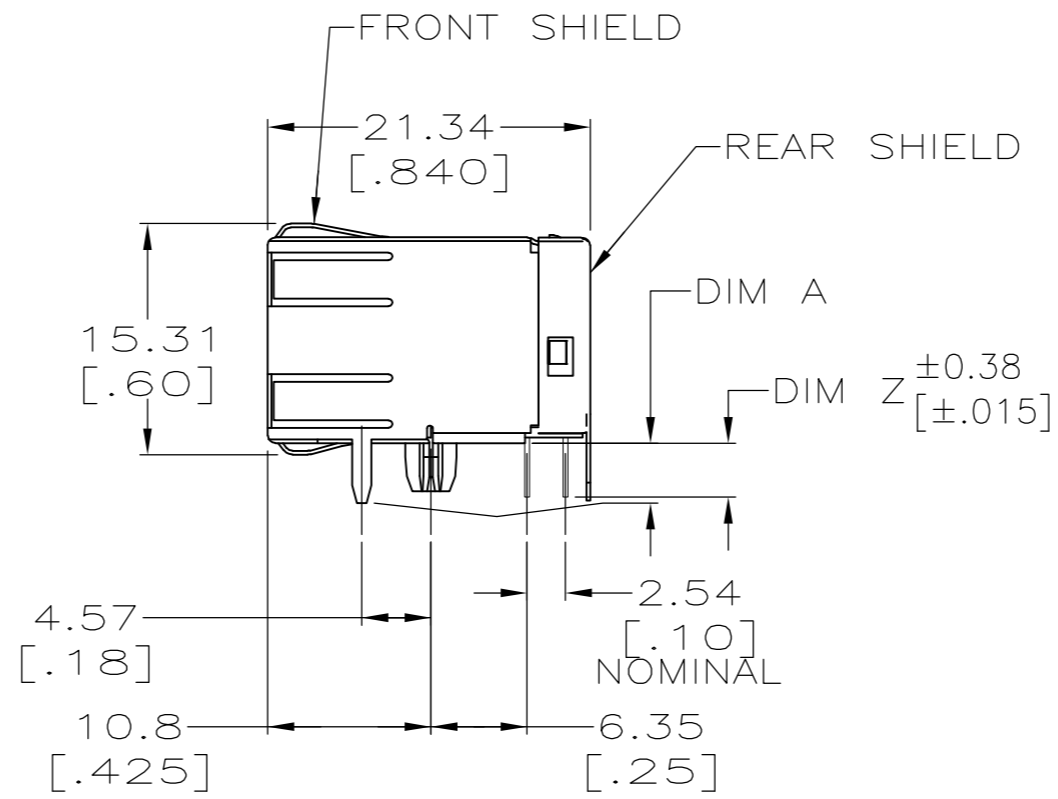
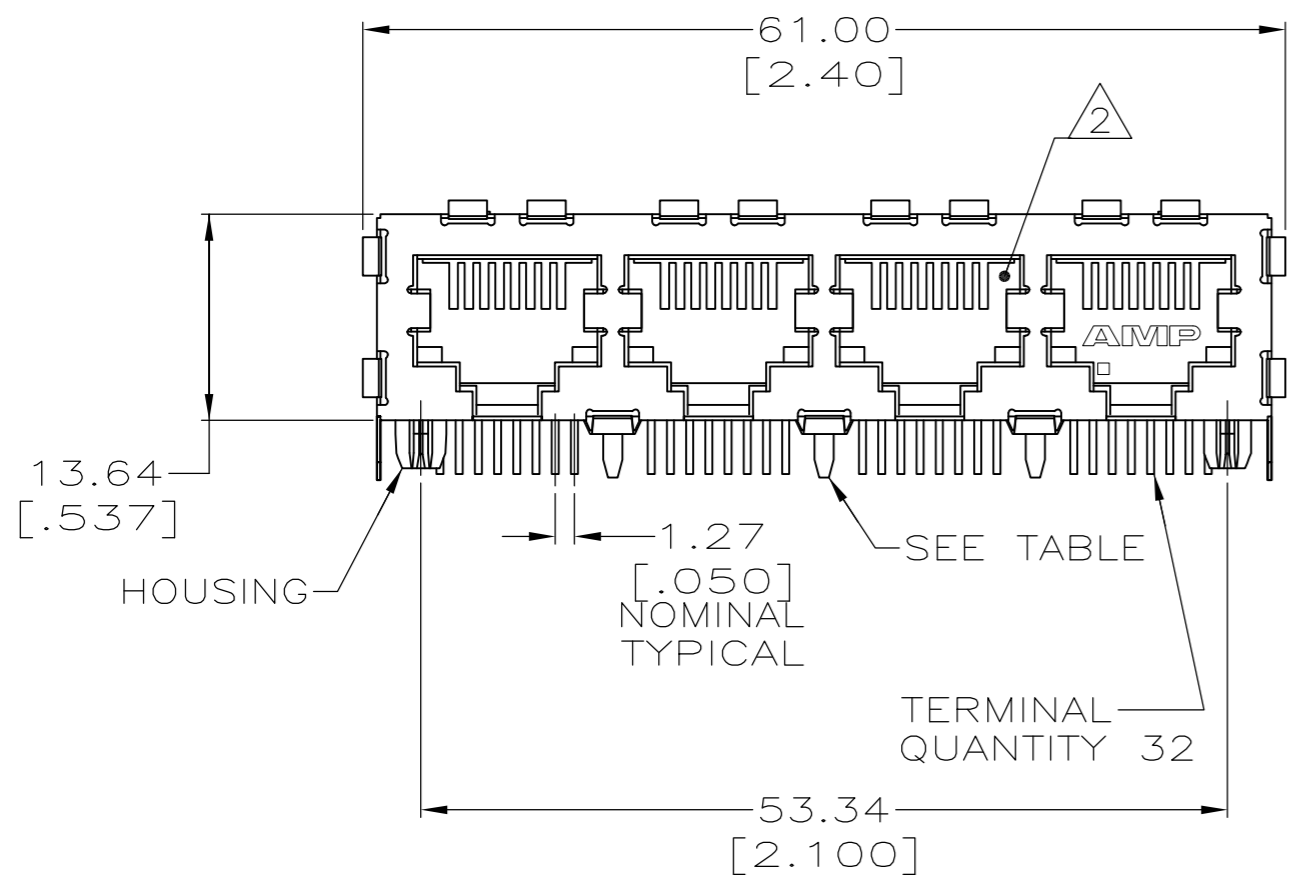


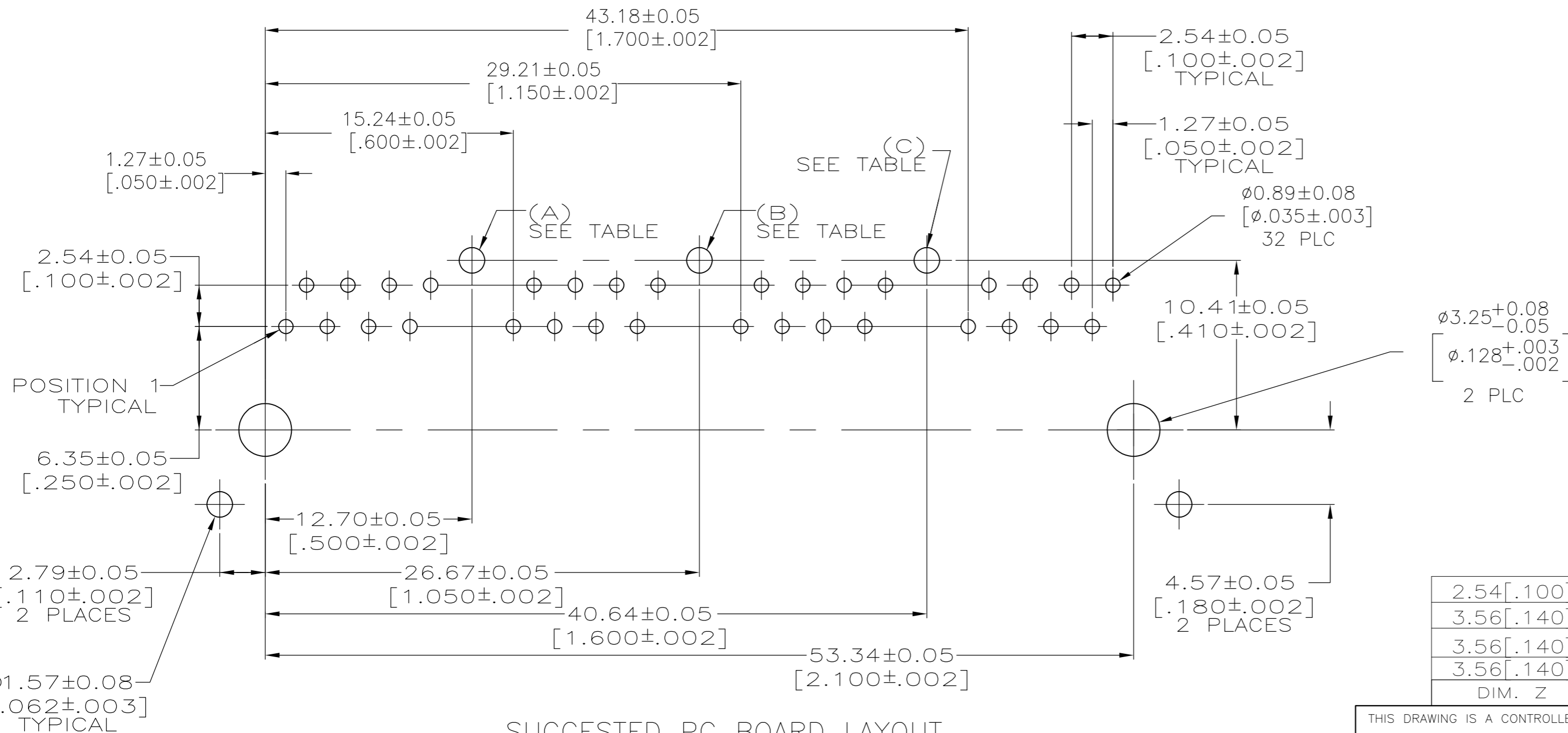
THIS DRAWING IS UNPUBLISHED. RELEASED FOR PUBLICATION
 © COPYRIGHT BY TYCO ELECTRONICS CORPORATION. ALL RIGHTS RESERVED.

LOC	DIST	REVISIONS					
AA	00	P	LTR	DESCRIPTION	DATE	DWN	APVD
		C1		REV PER ECR-08-009376	5MAY2008	DZ	SY



- MATERIAL: HOUSING - NYLON, COLOR: BLACK, UL 94V-0. OVERMOLDED TERMINAL ARRAY - PBT, BROWN. TERMINALS - 0.33[.013] THICK PHOS BRONZE PLATED WITH 1.27µm[.000050] MINIMUM HARD GOLD IN LOCALIZED AREA AND 3.81µm[.000150] MINIMUM MATTE TIN IN SOLDER AREA OVER 1.27µm[.000050] MINIMUM NICKEL UNDERPLATE. SHIELD - 0.254[.010] THICK COPPER ALLOY PLATED WITH 2.03µm[.000080] MINIMUM BRIGHT TIN OVER 1.27 µm [0.000050] MINIMUM NICKEL

- △2 JACK CAVITY CONFORMS TO FCC RULES AND REGULATIONS, PART 68 SUBPART F.
- △3 SAME AS NOTE 1 EXCEPT OVERMOLDED TERMINAL ARRAY - HTN, NATURAL.



SUGGESTED PC BOARD LAYOUT
 COMPONENT SIDE (TOP)
 SCALE 4:1

2.54 [.100]	3.05 [.120]	NONE	NONE	1-5406203-2/3
3.56 [.140]	3.94 [.155]	(A) (B) (C)	ALL THREE	5406203-3
3.56 [.140]	3.94 [.155]	(B)	(1) MIDDLE	5406203-2
3.56 [.140]	3.94 [.155]	NONE	NONE	5406203-1
DIM. Z	DIM. A	HOLES USED	NO. OF REAR TABS	PART NUMBER

THIS DRAWING IS A CONTROLLED DOCUMENT.		DWN T. SPRINKLE/L.A.MAYER 01JUNE2005	Tyco Electronics Corporation Harrisburg, Pa 17105-3608	
DIMENSIONS: mm	TOLERANCES UNLESS OTHERWISE SPECIFIED:	CHK J.WESTMAN 01JUNE2005	NAME S.FLICKINGER	
0 PLC ± -	1 PLC ± -	APVD S.FLICKINGER 01JUNE2005	PRODUCT SPEC 108-1163-2	
2 PLC ± 0.25[.01]	3 PLC ± 0.13[.005]	APPLICATION SPEC 114-2048		
4 PLC ± -	ANGLES ± -	WEIGHT -	SIZE A2	CAGE CODE 00779
MATERIAL SEE NOTE 1 & 3	FINISH SEE NOTE 1 & 3	DRAWING NO C=5406203		RESTRICTED TO -
CUSTOMER DRAWING		SCALE 2:1	SHEET 1 OF 1	REV C1